

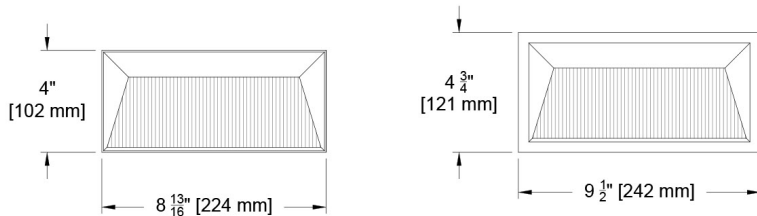
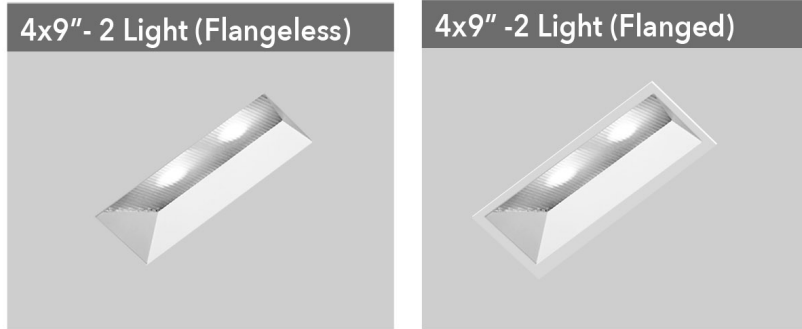
Core 4" Rectangular Multiple Adjustable Wall Wash - 2 Head

Formerly known as 1249-2
Recessed Adjustable Single Aperture



The Core Family

Welcome to the Core line of fixtures. The family is filled with a rich diversity of options while keeping classic forms. This member of the family deploys 2 heads to increase the amount of washing light. Let us know if you need 3 heads - we can do as a modification. This version is equipped with adjustable heads if a field tweak is required. With many source, driver, control and finish options, including wood, this wall wash delivers a 3.7:1 uniformity from top to bottom of the wall.



PROJECT:

TYPE:

SPECIFIER:

DATE:

Key Points (CR4MWW-TMHA)

Trim

- 14 color options + custom RAL or wood available
- Individual die cast aluminum or machined wood trim assembled to look as one contiguous multi cell fixture
- Plaster Mount allows installation from below with large plaster flange and lip

Source / Optics

- Adjustable with 45° tilt and 360° rotation
- Wall wash achieves a uniform 3.7:1 ratio from top to bottom of 10' wall
- Over 4000 lumens delivered with both cells and C28 source selection
- <2 MacAdam Steps (<2SDCM) for fixed white
- 90 CRI, 60+ R9 Standard- 95 CRI 90+R9 Optional
- 2700, 3000, 3500, 4000K, Ambient Dim standard. Tunable White and RGBW upon request
- Lifetime: L87B3>55,000 hours at 40°C Ambient

Housing

- 3 types of flangeless mounting options
- Heavy gauge aluminum for new construction or remodel
- IC Rated / Airtight Housing approved for use in direct contact with insulation – Chicago Plenum Available
- Approved for 8 (4-in / 4-out) #12 AWG conductors rated for 90°C through wiring
- us Listed – Damp
- Compliant to with Airtight/IC Housing

Driver

- Dimming to 0.1% available
- Prewired and integral to housing
- Flicker free to IEEE 1789-2015
- Phase, 0-10, DALI, Ecosystem or Wireless Control
- Universal 120-277v

SQUARE WW (CR4WW-SF) Beamspreads		35.6°		ISO CD Plot	CCT Multiplier	
Source	System watts (W)	Delivered Lumens (lm)	Lumens/Watt			
Citizen C14	14	679	49		2700	.95
Citizen C20	21	832	40		3000	1.00
Citizen C28*	30	1069	35		3500	1.02
Ambient Dim A14	15	461	31		4000	1.03

All photometry from single cell fixture at 3000k. Multiple heads will deliver more light and will need accounted for individually in calculations. *C28 requires active cooling and NIC housing

Core 4" Rectangular Multiple Adjustable Wall Wash - 2 Head

Formerly known as 1249-2

Recessed Adjustable Single Aperture



Ordering Codes

PROJECT:






SPECIFIER:

DATE:

TYPE:

QUANTITY:

Ordering Code Example: CR4MWW-TMHA-Z-AU-C20-35-LD-2C-P16-LR

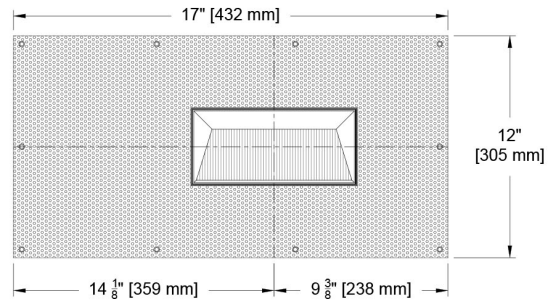
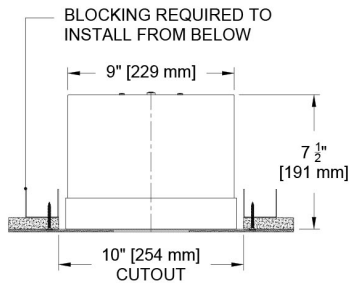
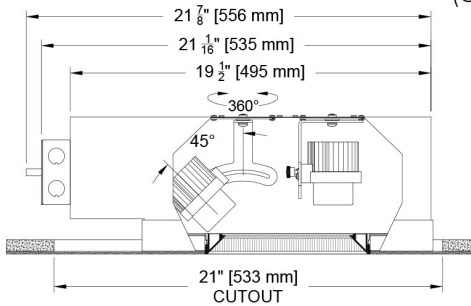
FIXTURE	TRIM	MOUNTING	SOURCE / WATTS	CCT	DRIVER / CONTROL	CIRCUITS	TRIM FINISH	ACCESSORIES
CR4MWW-TMHA								
Core 4" Rectangular Multiple Adjustable Wall Wash - 2 Head	<p>F Flanged Trim</p> <p>Z Flangeless Trim</p>	<p>U Universal - Non IC</p> <p>AU ●● Universal IC/Airtight[^]</p> <p>P Plaster - Non IC</p> <p>AP ●● Plaster IC/Airtight[^]</p> <p>PM Panel Mount - Non IC</p> <p>APM ●● Panel Mount Airtight/IC[^]</p> <p>●● California Title 24 Compliant [^]Cannot be used with C28 source</p>	<p>Citizen</p> <p>C14 ●● 15W 679Lm** 90+CRI, 60+R9</p> <p>C20 21W 832Lm** 90+CRI, 60+R9</p> <p>C28 30W* 1069Lm** 90+CRI, 60+R9</p> <p>Ambient Dim</p> <p>A14 15W 461Lm** 95+CRI, 90+R9 3000 to 1900K</p>  <p>Tunable White 90+CRI, 70+R9 1800-4000K or 2700-6500K[^]</p> <p>RGBW 90+CRI, 60+R9 ^</p> <p>●● California Title 24 Compliant to JA8.</p> <p>* Requires Active Cooling and not compatible with IC/Airtight housing. Not compatible with L2 and LP drivers.</p> <p>** Based on single head.</p> <p>[^] Available upon request. Contact your regional sales manager</p>	<p>27 2700K</p> <p>30 3000K</p> <p>35 3500K</p> <p>40 4000K</p> <p>AD 3000-1900K</p>	<p>C1 0-10 1.0%, UNV (120-277V) linear</p> <p>C2 ELV/Triac 1.0%, (120V) linear</p> <p>EldoLED</p> <p>E1 0-10 0.1%, UNV (120-277V) log</p> <p>E2 DALI-2 0.1%, UNV (120-277V) log</p> <p>E3 0-10 0.1%, UNV (120-277V) linear</p> <p>Lutron</p> <p>LD Digital Ecosystem 1.0%, UNV (120-277V) ECO Hi-Lume SoftOn/Fade-to-Black LDE1</p> <p>LP Digital Ecosystem* 0.1%, UNV (120-277V) ECO Premier Hi-Lume SoftOn/Fade-to-Black, PEQ0, 20W max</p> <p>* Not compatible with C28 source</p>	<p>1C 1 Circuit</p> <p>2C 2 Circuit</p>	<p>W White Paint</p>  <p>B Black Paint</p>  <p>D Wood*</p>  <p>PXX Specialty Paint Color*</p> <p>P01-P15</p> <p>C Custom/RAL Color**</p>  <p>* Wood "D" selection to be used with Z trim and PM mounting - Refer to Wood Trim Guide ** Refer to Finish Guide</p> <p>FINISH GUIDE LINK</p> <p>WOOD TRIM GUIDE</p>	<p>EM Emergency Pack</p> <p>CP Chicago Plenum</p> <p>Controls</p> <p>LR Lutron Wireless RF PowPak</p> <p>ATH Lutron Athena Wireless Node <i>Must be used with E2 driver</i></p> <p>CA Casambi Wireless BLE to be paired with driver</p>

Ceiling Cutouts and Dimensions

2 Head Flangeless Housing

Plaster Mount (P/AP)

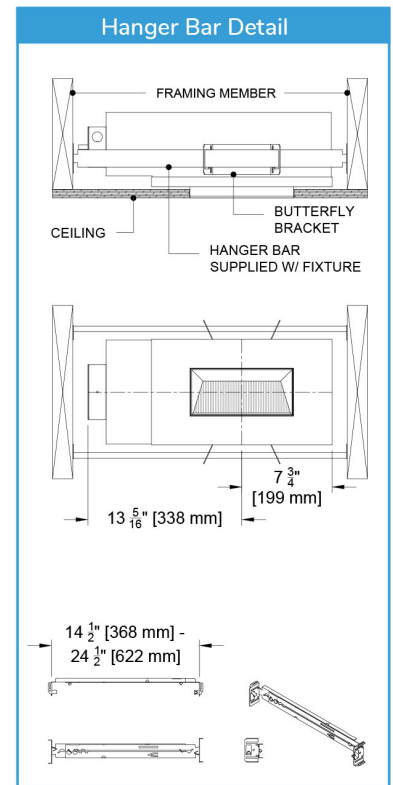
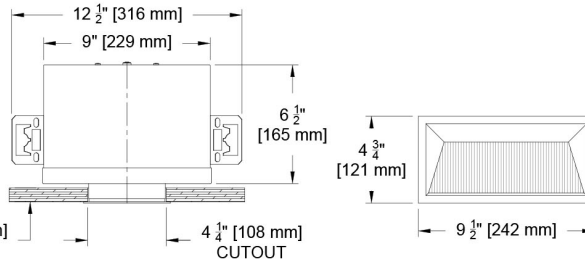
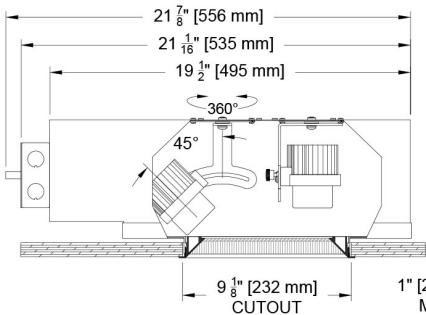
(CR4MWW-TMHA-Z-P/AP)



2 Head Flanged Housing

Flanged Mount (U/AU)

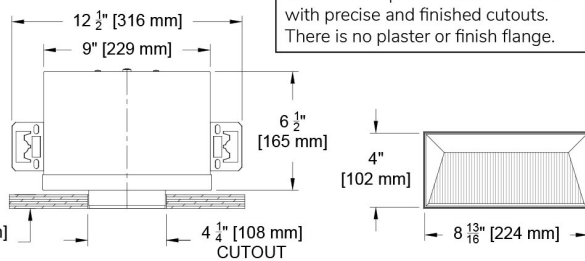
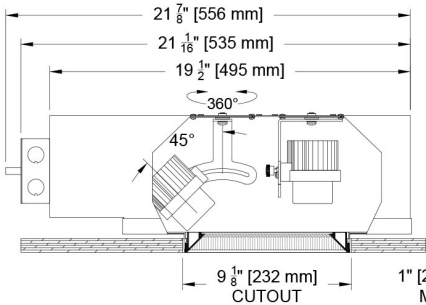
(CR4MWW-TMHA-F-U/AU)



2 Head Flangeless Housing

Flangeless Mount (U/AU)

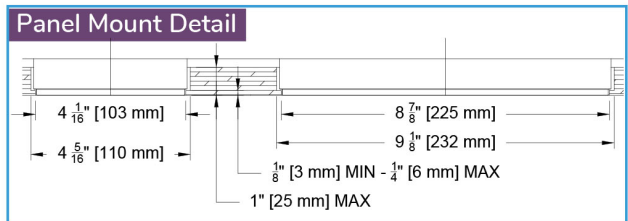
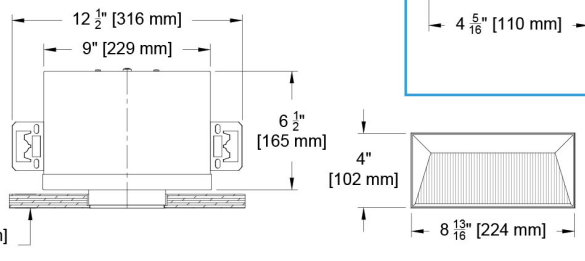
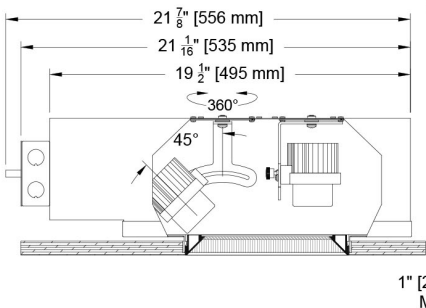
(CR4MWW-TMHA-Z-U/AU)



2 Head Flangeless Housing

Panel Mount (PM/APM)

(CR4MWW-TMHA-Z-PM/APM)



NOTE: This option is intended for use with precise and finished cutouts - usually millwork or wood ceilings. There is no plaster or finish flange.

Core 4" Rectangular Multiple Adjustable Wall Wash - 2 Head

Formerly known as 1249-2
Recessed Adjustable Single Aperture



Photometric Table

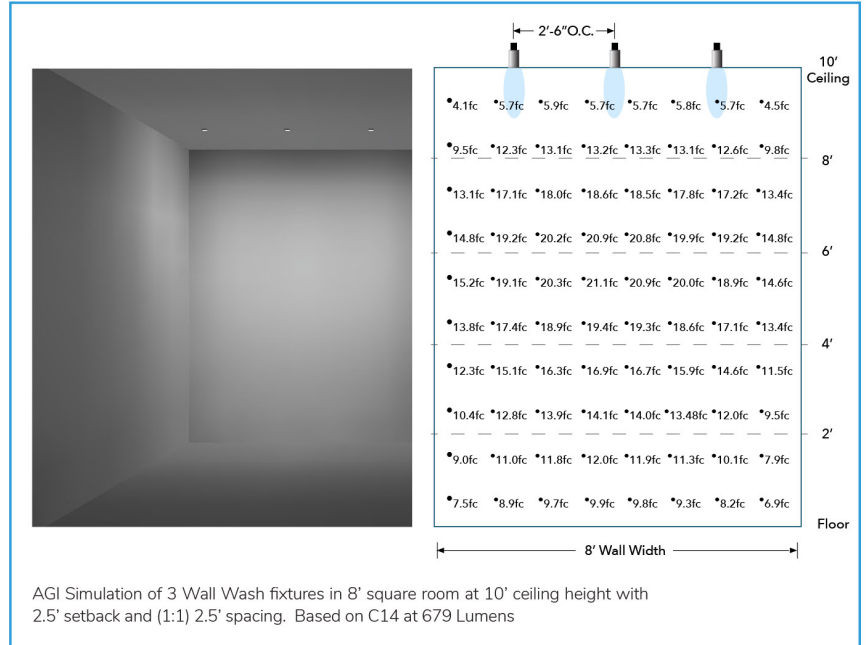
All data is based from goniometer measurements of production representative single head fixture. Multiple heads will deliver additional light and will need to be accounted for individually in calculations. All lumen values can vary +/- 10% from LED manufacturer rated flux range. Measurements at 3000 CCT

SQUARE Wall Wash (CR4WW-SF)			
Source	System watts (W)	Delivered Lumens (lm)	Lumens/ Watt
Citizen C14	14	679	49
Citizen C20	21	832	40
Citizen C28*	30	1069	35
Ambient Dim A14	15	461	31

CCT Multiplier	
CCT	Citizen
2700	0.95
3000	1.00
3500	1.02
4000	1.03

All measurements are delivered or derived delivered lumens at 3000k. For other CCTs use the following multipliers: 2700 - 0.95, 3500 - 1.02, 4000, 1.03. Values are based on a single head Core 4" square wall wash (CR4WW-SF). Multiple heads will deliver more light and will need to be accounted for individually in calculations. Ambient Dim measured at full output. *C28 requires active cooling and NIC housing

35.6°

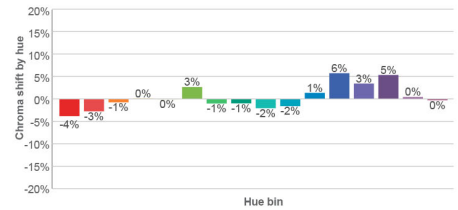
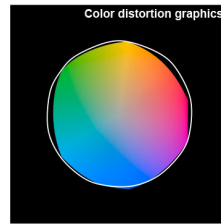
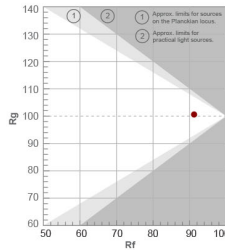
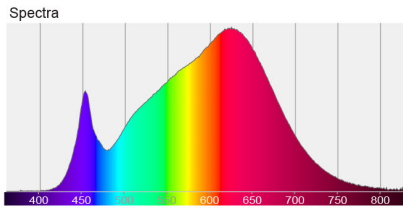
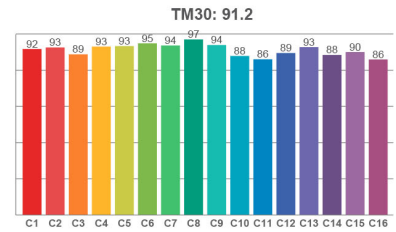
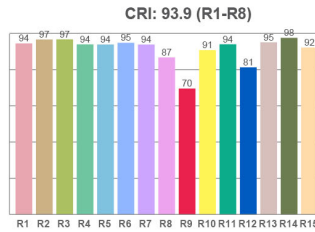
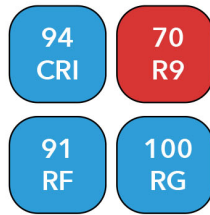


Color Data

All data is based from goniometer measurements of production representative product. All lumen values can vary +/- 10% from LED manufacturer rated nominal flux. Measurements at 3000 CCT

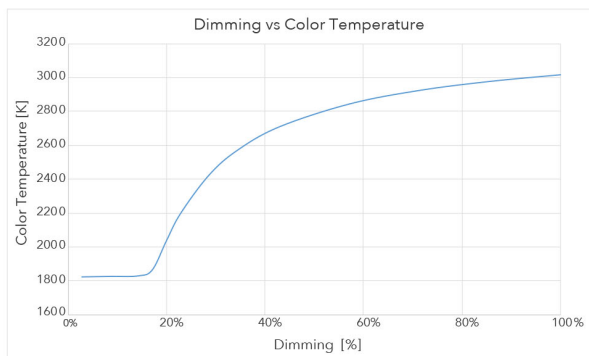
Citizen Sources for C14, C20 and C28

- <2 MacAdam Ellipse (<2 SDCM)
- 90+ CRI and RF
- 60+R9, Hue Bin 1

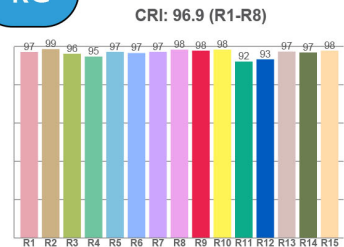
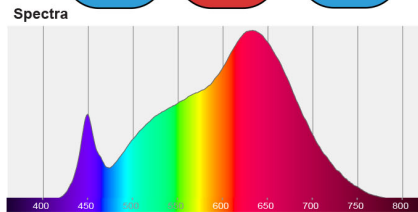


Ambient Dim 3000k to 1900k

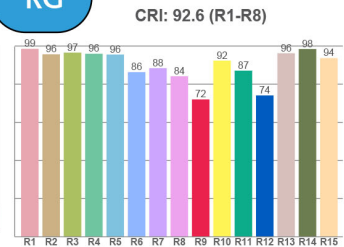
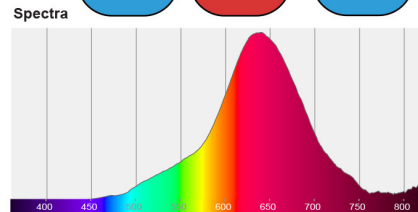
- <3 MacAdam Ellipse (<3 SDCM)
- 95+ CRI and RF
- 90+R9, Hue Bin 1
- Follows Black Body Locus through dimming range



3000 CCT Full Output



1850 CCT 5% Output



Core 4" Rectangular Multiple Adjustable Wall Wash - 2 Head

Formerly known as 1249-2

Recessed Adjustable Single Aperture



Tunable White and RGBW

Color and flux information available upon request